



垫片密封件

Back Up Ring Catalogue

液压密封件

气动密封件

金属端面密封件

泛塞密封件

导向支撑元件

Company Profile

Established in Xiamen in 2001, Xiamen TuoYan Seals Technology Co., Ltd. specializes in the research and development of sealing solutions and sealing components for fluid power systems. The company integrates research and development, production, and sales, and has complete production and testing equipment, including CNC machining centers, CNC lathes, large hydraulic presses, computer-controlled sintering furnaces, flat vulcanizing machines, precision injection molding machines, fully automatic fiber impregnation machines, and laminating machines.

Our company is certified with ISO 9001:2015, and we continually invest in product development and innovation to provide customers with high-quality products and exceptional sealing solutions. We have received high praise from customers both domestically and internationally. We have established three subsidiary companies, each specializing in producing premium sealing components in different sealing domains.

Xiamen TYS Seals Technology Co.,Ltd.

Focuses on the production and development of rubber, polyurethane, and polytetrafluoroethylene (PTFE) seals.

Add. : No.9-5-1, Xingmei Road, Jimei District, Xiamen, Fujian China.361022
Tel : 0592-6192018 Fax:0592-6192019
Email:tys@tysseals.com

TYS Seals Technology(WuPing) Co.,Ltd.

Specializes in the production and development of composite material products, including phenolic fabric wear rings, bushings, and bearing cages.

Add. : No.117, Huan Cheng South Road, Wuping County, Longyan City, Fujian China.
Tel : 0597-4802088

Xiamen JingHengYan Sealing Technology Co.,Ltd.

Focuses on the production and development of metal end-face seals, specifically floating seal products.

Add. : No.37-4-1, Xinyuan Road, Jimei District, Xiamen, Fujian China.
Tel : 0592-6192029

TYS Seals Technology (Guangzhou) Co.,Ltd.

Sales Center

Add. : 11-1237 Zhuji international machinery center , No.36 Zhuji road Tianhe district
Guangzhou

Tel : 020-32380255 Fax:020-3238-0377

Code	Section	Function	Limited Condition			Page
			Pressure (MPa)	Speed (m/s)	Temp. (°C)	
BRT		Rod Seal Backup rings		1	-45°C +200°C	40
N4W		Piston Backup rings		1	-45°C +120°C	41

Sealing Component Storage Guidelines and Recommended Shelf Life

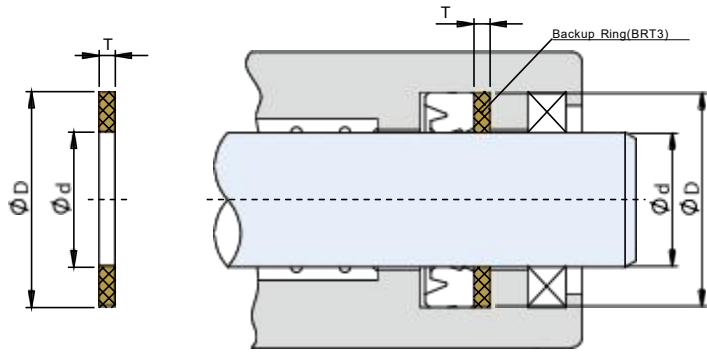
Storage Recommendations :

Stock Control	Follow the First- In-First-Out (FIFO) principle
Optimal Temp.	Seals should be kept away from heat sources like direct sunlight and heat-emitting objects. The maximum storage temperature is +32°C. Low temperatures won't cause permanent damage to the seals but can make them brittle, leading to potential breakage if mishandled. Generally, the storage temperature for seals should not go below +10°C, and they should be brought to room temperature before installation.
Avoid strong light	Surfaces should be shielded from direct sunlight and artificial light sources to prevent exposure to ultraviolet radiation.
Moisture control	Special care should be taken during storage, and the ambient humidity should not exceed 65%. Some specific polyurethane seals that are sensitive to moisture should be stored in sealed containers
Keep away from oxygen and ozone	Ozone and oxygen are harmful to seals. Seals should be stored in sealed containers. Any equipment that generates sparks should be kept away from the storage containers.
Keep away from	For seals to have a longer storage life, they should be kept away from contaminants. The warehouse should be kept clean.
Avoid distortion	Large seals should be stored flat instead of hanging, as prolonged hanging can cause distortion. Seals should not be placed on hooks, nails, or metal plates.

Recommended Shelf Life :

化合物名称	Compounds	Shelf Life
Aflas [®]	FEPDM	7 Years
乙丙橡胶	EP,EPR, EPDM	7 Years
氟橡胶	FKM	7 Years
丁腈橡胶	NBR,HNBR, XNBR	7 Years
聚氨酯	AU or EU	10 Years
聚酯弹性体	TPCE	10 Years
聚四氟乙烯	PTFE	Unlimited

BRT -Backup rings



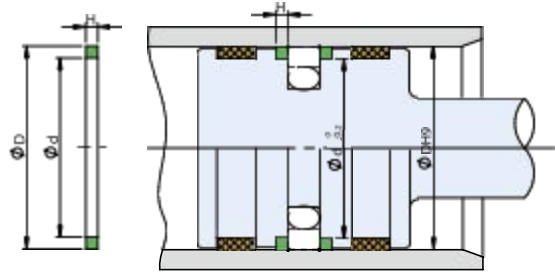
MAT :NY/Filled PTFE

Name	specification		
	D	d	T
BRT	60	50	3
BRT	63	50	3
BRT	65	50	3
BRT	70	50	3
BRT	70	60	3
BRT	73	60	3
BRT	75	60	3
BRT	80	60	3
BRT	75	65	3
BRT	78	65	3
BRT	80	65	3
BRT	80	70	3
BRT	83	70	3
BRT	85	70	3
BRT	90	70	3
BRT	85	75	3
BRT	88	75	3
BRT	90	75	3
BRT	95	75	3
BRT	93	80	3

Name	specification		
	D	d	T
BRT	80	95	3
BRT	80	100	3
BRT	85	100	3
BRT	85	105	3
BRT	90	105	3
BRT	90	110	3
BRT	95	110	3
BRT	95	115	3
BRT	100	115	3
BRT	100	120	3
BRT	105	120	3
BRT	105	125	3
BRT	110	125	3
BRT	110	130	3
BRT	115	130	3
BRT	115	135	3
BRT	120	135	3
BRT	120	140	3
BRT	130	145	3
BRT	130	150	3

If your required sizes are not listed in the table, please kindly contact us.

N₄W -Backup rings



Desin Description:

N₄W is a gasket specifically designed for the SPGO scraper ring, aimed at minimizing the risk of seal ring damage and failure due to excessive clearance.

Name	D	d	H
N4W-80	80	75	2.5
N4W-85	85	80	2.5
N4W-90	90	85	2.5
N4W-95	95	90	2.5
N4W-100	100	95	2.5
N4W-105	105	100	2.5
N4W-110	110	105	2.5
N4W-110	110	104	3
N4W-115	115	109	3
N4W-120	120	114	3
N4W-125	125	119	3
N4W-130	130	124	3
N4W-135	135	129	3
N4W-140	140	134	3
N4W-145	145	139	3
N4W-150	150	144	3
N4W-160	160	154	3
N4W-170	170	164	3

If your required sizes are not listed in the table, please kindly contact us.



厦门市新岩密封科技有限公司

XIAMEN TYS SEALS TECHNOLOGY CO.,LTD.

地址：厦门市集美区杏美路9-2号

ADD:NO.5-2,Xinmei Road,Jimei District,Xiamen

Tel : 0592-6192018 Fax:0592-6192019

Email:tys@tysseals.com

Web: <http://www.tysseals.com>

拓岩密封科技（广州）有限公司

TYS SEALS TECHNOLOGY (GUANGZHOU)CO.,LTD.

地址：广州市天河区朱吉公路36号朱吉国际机械城11-1237

ADD:11-1237 Zhuji international machinery center , No.36 Zhuji road Tianhe district Guangzhou

Tel : 020-32380255 Fax:020-3238-0377

Email:sales01@tysseals.com

Web: <http://www.tysseals.com>