



防尘密封件

Wiper Seal Catalogue pdf

Company Profile

Established in Xiamen in 2001, Xiamen TuoYan Seals Technology Co., Ltd. specializes in the research and development of sealing solutions and sealing components for fluid power systems. The company integrates research and development, production, and sales, and has complete production and testing equipment, including CNC machining centers, CNC lathes, large hydraulic presses, computer-controlled sintering furnaces, flat vulcanizing machines, precision injection molding machines, fully automatic fiber impregnation machines, and laminating machines.

Our company is certified with ISO 9001:2015, and we continually invest in product development and innovation to provide customers with high-quality products and exceptional sealing solutions. We have received high praise from customers both domestically and internationally. We have established three subsidiary companies, each specializing in producing premium sealing components in different sealing domains.

Xiamen TYS Seals Technology Co.,Ltd.

Focuses on the production and development of rubber, polyurethane, and polytetrafluoroethylene (PTFE) seals.

Add. : No.9-5-1, Xingmei Road, Jimei District, Xiamen,Fujian China.361022
Tel : 0592-6192018 Fax:0592-6192019
Email:tys@tysseals.com

TYS Seals Technology(WuPing) Co.,Ltd.

Specializes in the production and development of composite material products, including phenolic fabric wear rings, bushings, and bearing cages.

Add. : No.117, Huan Cheng South Road, Wuping County,Longyan City,Fujian China.
Tel : 0597-4802088

Xiamen JingHengYan Sealing Technology Co.,Ltd.

Focuses on the production and development of metal end-face seals, specifically floating seal products.






Add. : No.37-4-1,Xinyuan Road, Jimei District,Xiamen,Fujian China.
Tel : 0592-6192029

TYS Seals Technology (Guangzhou) Co.,Ltd.

Sales Center

Add. : 11-1237 Zhuji international machinery center , No.36 Zhuji road Tianhe district
Guangzhou

Tel : 020-32380255 Fax:020-3238-0377

Code	Section	Function	Limited Condition			Page
			Pressure (MPa)	Speed (m/s)	Temp. (°C)	
DH-5		Dust Sels		2	-40°C +110°C	1
DHS		Dust Sels		2	-40°C +110°C	2
GSZ5		Dust Sels		5	-40°C +110°C	3
DKBI		Dust Sels		3	-30°C +100°C	4
DKBZ		Dust Sels		3	-30°C +100°C	5

Sealing Component Storage Guidelines and Recommended Shelf Life

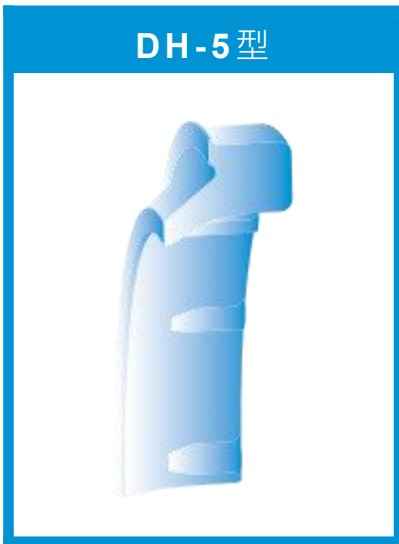
Storage Recommendations :

Stock Control	Follow the First- In-First-Out (FIFO) principle
Optimal Temp.	Seals should be kept away from heat sources like direct sunlight and heat-emitting objects . The maximum storage temperature is +32°C. Low temperatures won't cause permanent damage to the seals but can make them brittle, leading to potential breakage if mishandled. Generally, the storage temperature for seals should not go below +10°C, and they should be brought to room temperature before installation.
Avoid strong light	Surfaces should be shielded from direct sunlight and artificial light sources to prevent exposure to ultraviolet radiation.
Moisture control	Special care should be taken during storage, and the ambient humidity should not exceed 65%. Some specific polyurethane seals that are sensitive to moisture should be stored in sealed containers
Keep away from oxygen and ozone	Ozone and oxygen are harmful to seals . Seals should be stored in sealed containers . Any equipment that generates sparks should be kept away from the storage containers .
Keep away from	For seals to have a longer storage life, they should be kept away from contaminants . The warehouse should be kept clean.
Avoid distortion	Large seals should be stored flat instead of hanging, as prolonged hanging can cause distortion. Seals should not be placed on hooks , nails , or metal plates .

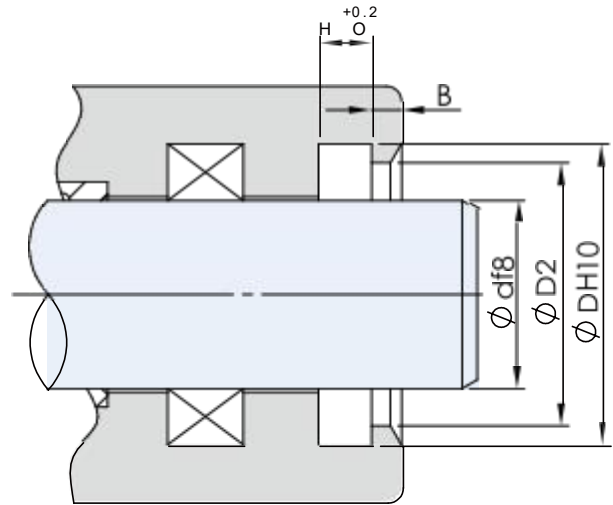
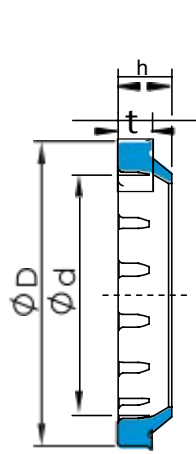
Recommended Shelf Life :

化合物名称	Compounds	Shelf Life
Aflas [®]	FEPM	7 Years
乙丙橡胶	EP,EPR, EPDM	7 Years
氟橡胶	FKM	7 Years
丁腈橡胶	NBR,HNBR, XNBR	7 Years
聚氨酯	AU or EU	10 Years
聚酯弹性体	TPCE	10 Years
聚四氟乙烯	PTFE	Unlimited

DH-5 防尘密封件/Dust seals



DH-5 型



Design Description:

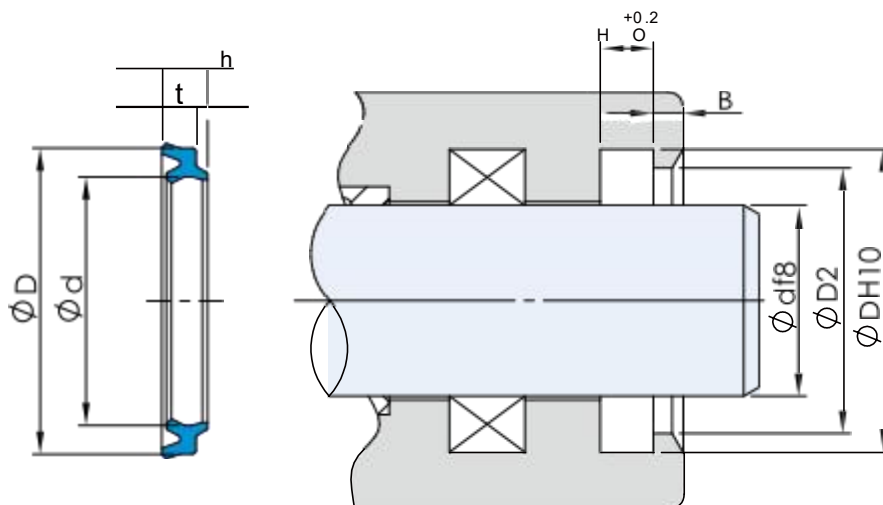
The DH-5 dust seal is a type of double-lip dust seal with a sealing lip on the outer diameter, which prevents contaminants from entering the sealing system. The inner ring has reinforcing ribs that provide stability and prevent the seal from being extruded from the groove due to back pressure. It effectively functions as a dust seal even in extremely harsh working conditions.

Technical Specification:

- Speed: 2m/s
- Temperature: -40°C to +110°C
- Standard material: Polyurethane (PU)

d	D	t	h	H	D2	B	ISO	JIS
18	26	4.5	6	5	22	2	•	•
20	28	4.5	6	5	24	2	•	•
22	30	4.5	6	5	26	2	•	•
25	33	4.5	6	5	27	2	•	•
28	36	4.5	6	5	32	2	•	•
30	38	4.5	6	5	34	2	•	•
30	38	5	6.5	6	34	2		•
32	40	4.5	6	5	36	2	•	•
32	40	5	6.5	6	36	2		•
35	43	4.5	6	5	39	2	•	•
35	43	5	6.5	6	39	2		•
36	44	4.5	6	5	40	2	•	•
36	44	5	6.5	6	40	2		•
38	46	4.5	6	5	42	2	•	•
38	46	5	6.5	6	42	2		•
40	48	4.5	6	5	44	2	•	•
40	48	5	6.5	6	44	2		•
45	53	4.5	6	5	49	2	•	•
45	53	5	6.5	6	49	2		•
50	58	4.5	6	5	54	2	•	•
50	58	5	6.5	6	54	2		•
53	61	5	6.5	6	57	2		•
55	63	5	6.5	6	59	2		•
55	65	5.3	6.8	6	60	2	•	
56	66	5.3	6.8	6	61	2	•	
60	68	5	6.5	6	64	2		•
60	70	5.3	6.8	6	65	2	•	
63	71	5	6.5	6	67	2		•
63	73	5.3	6.8	6	68	2	•	
65	73	5	6.5	6	69	2		•

d	D	t	h	H	D2	B	ISO	JIS
65	75	5.3	6.8	6	70	2	•	
70	80	5.3	6.8	6	75	3	•	
70	80	6	8	7	75	3		•
75	85	5.3	6.8	6	80	3	•	
75	85	6	8	7	80	3		•
80	90	5.3	6.8	6	85	3	•	
80	90	6	8	7	85	3		•
85	95	5.3	6.8	6	90	3	•	
85	95	6	8	7	90	3		•
90	100	5.3	6.8	6	95	3	•	
90	100	6	8	7	95	3		•
95	105	5.3	6.8	6	100	3	•	
95	105	6	8	7	100	3		•
100	110	5.3	6.8	6	105	3	•	
100	110	6	8	7	105	3		•
105	115	6	8	7	110	3		•
110	120	6	8	7	115	3		•
115	125	6	8	7	120	4		•
120	130	6	8	7	125	4		•
125	138	7	9.5	8	132	4		•
130	143	7	9.5	8	137	4		•
135	148	7	9.5	8	142	4		•
140	153	7	9.5	8	147	4		•
145	158	7	9.5	8	152	4		•
150	163	7	9.5	8	157	4		•
160	173	7	9.5	8	167	4		•
170	183	7	9.5	8	177	4		•
180	193	7	9.5	8	187	4		•
190	203	7	9.5	8	197	5		•
200	213	7	9.5	8	207	5		•



Design Description:

The DHS dust seal is a double-lip dust seal designed to protect against contaminants. The sealing lips facing the Medium reduce the residual oil film. The use of polyurethane material ensures excellent characteristics during dry friction, increasing wear resistance. It also has good resistance to ozone and radiation caused by climatic conditions, extending its service life. When using PTFE piston rod seals, it is recommended to use the DHS double-lip dust seal.

Technical Specification:

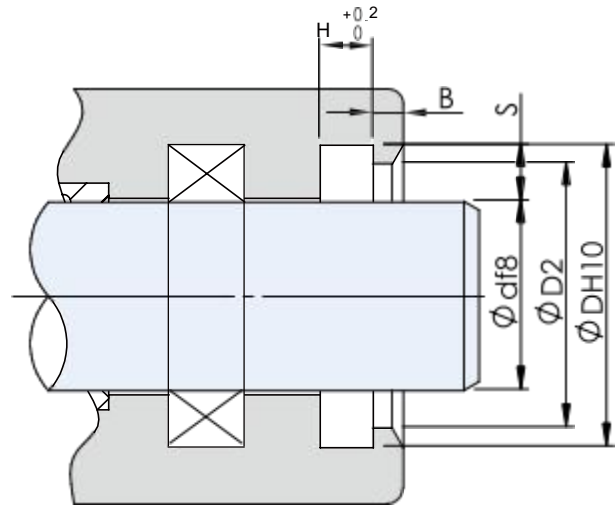
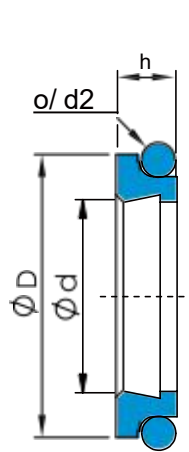
- Speed: 2m/s
- Temperature: -40°C to +110°C
- Standard material: Polyurethane (PU)

d	D	t	h	H	D2	B	ISO	JIS
18	26	4.5	6	5	22	2	•	•
20	28	4.5	6	5	24	2	•	•
22	30	4.5	6	5	26	2	•	•
25	33	4.5	6	5	27	2	•	•
28	36	4.5	6	5	32	2	•	•
30	38	4.5	6	5	34	2	•	•
30	38	5	6.5	6	34	2		•
32	40	4.5	6	5	36	2	•	•
32	40	5	6.5	6	36	2		•
35	43	4.5	6	5	39	2	•	•
35	43	5	6.5	6	39	2		•
36	44	4.5	6	5	40	2	•	•
36	44	5	6.5	6	40	2		•
38	46	4.5	6	5	42	2	•	•
38	46	5	6.5	6	42	2		•
40	48	4.5	6	5	44	2	•	•
40	48	5	6.5	6	44	2		•
45	53	4.5	6	5	49	2	•	•
45	53	5	6.5	6	49	2		•
50	58	4.5	6	5	54	2	•	•
50	58	5	6.5	6	54	2		•
53	61	5	6.5	6	57	2		•
55	63	5	6.5	6	59	2		•
55	65	5.3	6.8	6	60	2	•	
56	66	5.3	6.8	6	61	2	•	
60	68	5	6.5	6	64	2		•
60	70	5.3	6.8	6	65	2	•	
63	71	5	6.5	6	67	2		•
63	73	5.3	6.8	6	68	2	•	
65	73	5	6.5	6	69	2		•

d	D	t	h	H	D2	B	ISO	JIS
65	75	5.3	6.8	6	70	2	•	
70	80	5.3	6.8	6	75	3	•	
70	80	6	8	7	75	3		•
75	85	5.3	6.8	6	80	3	•	
75	85	6	8	7	80	3		•
80	90	5.3	6.8	6	85	3	•	
80	90	6	8	7	85	3		•
85	95	5.3	6.8	6	90	3	•	
85	95	6	8	7	90	3		•
90	100	5.3	6.8	6	95	3	•	
90	100	6	8	7	95	3		•
95	105	5.3	6.8	6	100	3	•	
95	105	6	8	7	100	3		•
100	110	5.3	6.8	6	105	3	•	
100	110	6	8	7	105	3		•
105	115	6	8	7	110	3		•
110	120	6	8	7	115	3		•
115	125	6	8	7	120	4		•
120	130	6	8	7	125	4		•
125	138	7	9.5	8	132	4		•
130	143	7	9.5	8	137	4		•
135	148	7	9.5	8	142	4		•
140	153	7	9.5	8	147	4		•
145	158	7	9.5	8	152	4		•
150	163	7	9.5	8	157	4		•
160	173	7	9.5	8	167	4		•
170	183	7	9.5	8	177	4		•
180	193	7	9.5	8	187	4		•
190	203	7	9.5	8	197	5		•
200	213	7	9.5	8	207	5		•



GSZ5 防尘密封件/Dust seals



Design Description:

The GSZ5 is a double-lip dust seal composed of a wearing ring with sealing and dust-proof cutting edges and an O-ring acting as a pre-tightening element. It is specifically designed for applications in environments with severe dust or intense cold, as well as high-frequency reciprocating motion.

The advantages of the GSZ5 dust seal include:

- Minimal starting and operating friction, ensuring smooth movement even at low speeds without crawling phenomena.
- Excellent sliding characteristics.
- Wear-resistant with a long service life.
- Wide temperature range (dependent on the O-ring material used).
- Excellent resistance to chemical Medium (with appropriate O-ring material).

Technical Specification:

- Speed: 5m/s
- Temperature: -40°C to +110°C (temperature depends on the O-ring material)
- Standard material: Filled PTFE + elastomer

Section	O Ring Section (mm)	Recommended Rod Dia.Range d (mm)		Groove Width L+0.2(mm)	Groove Depth S(mm)	Diameter D2 (mm)
		≥	<			
A	2.62	19	39.9	4.2	3.80	∅d + 1.5
B	2.62	40	69.9	6.3	4.40	∅d + 1.5
C	3.53	70	139.9	8.1	6.10	∅d + 2.0
D	5.33	140	399.9	9.5	8.00	∅d + 2.5
E	6.99	400	649.9	14.0	12.00	∅d + 2.5
G	8.40	650	Above	16.0	13.65	∅d + 2.5



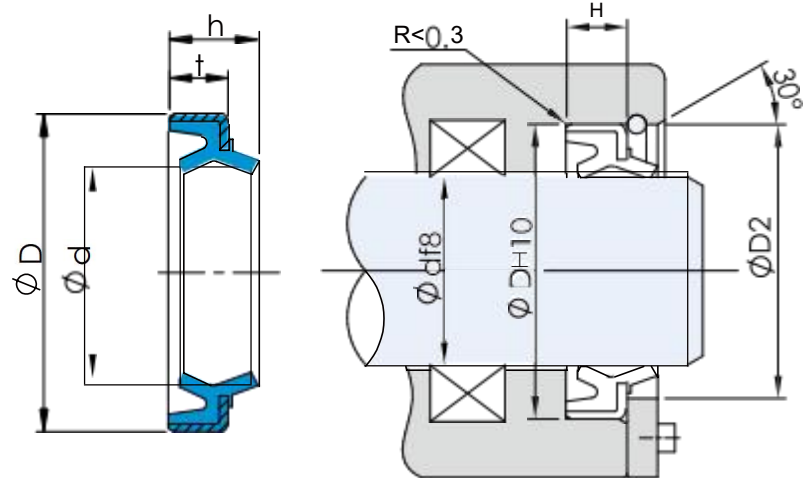
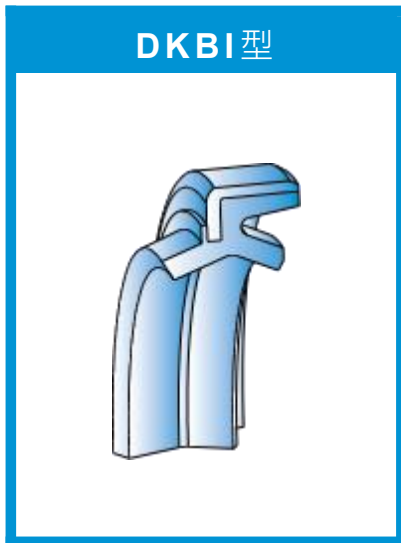
Specification:

d	D	H	D2(小台阶)
18	25.6	4.2	19.5
20	27.6	4.2	21.5
22	29.6	4.2	23.5
25	32.6	4.2	26.5
28	35.6	4.2	29.5
30	37.6	4.2	31.5
32	39.6	4.2	33.5
35	42.6	4.2	36.5
36	43.6	4.2	37.5
38	45.6	4.2	39.5
40	48.8	6.3	41.5
45	53.8	6.3	46.5
50	58.8	6.3	51.5
55	63.8	6.3	56.5
56	64.8	6.3	57.5
60	68.8	6.3	61.5
63	71.8	6.3	64.5
65	73.8	6.3	66.5
70	82.2	8.1	72
75	87.2	8.1	77
80	92.2	8.1	82
85	97.2	8.1	87
90	102.2	8.1	92
95	107.2	8.1	97
100	112.2	8.1	102
105	117.2	8.1	107
110	122.2	8.1	112
115	127.2	8.1	117
120	132.2	8.1	122
125	137.2	8.1	127
130	142.2	8.1	132
135	147.2	8.1	137
140	156	9.5	142.5
145	161	9.5	147.5
150	166	9.5	152.5
160	176	9.5	162.5
170	186	9.5	172.5
180	196	9.5	182.5
190	206	9.5	192.5
200	216	9.5	202.5

If your required sizes are not listed in the table,
please kindly contact us.



DKBI 防尘密封件/Dust seals



Design Description:

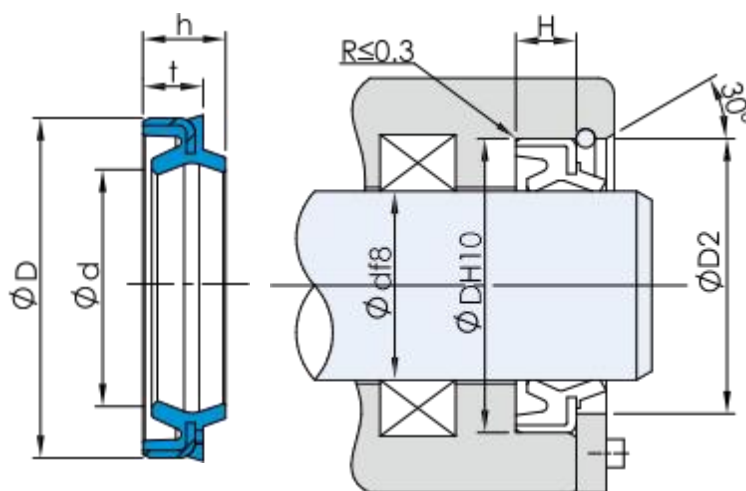
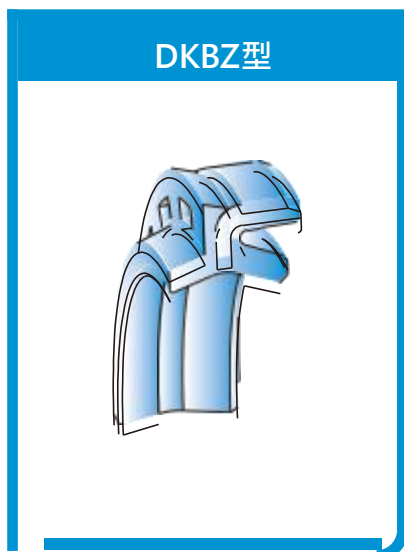
DKBI is suitable for reciprocating, oscillating, or rotary motion systems and exhibits excellent dust scraping capability, wear resistance, and long service life.

Specification:

Technical Specification:

- Maximum Speed: 3 m/s
- Temperature Range: -30 to 100°C
- Materials: Iron + Polyurethane/Nitrile

Name	d	D	t	h	H	D2
DKBI	30	42	6	9	6.4	37
DKBI	35	47	7	10	7.5	42
DKBI	40	52	7	10	7.5	47
DKBI	45	57	7	10	7.5	52
DKBI	50	62	7	10	7.5	57
DKBI	55	69	8	11	8.6	62
DKBI	60	74	8	11	8.6	67
DKBI	65	79	8	11	8.6	72
DKBI	70	84	8	11	8.6	77
DKBI	75	89	8	11	8.6	82
DKBI	80	94	8	11	8.6	87
DKBI	85	99	8	11	8.6	92
DKBI	90	104	8	11	8.6	97
DKBI	95	109	8	11	8.6	102
DKBI	100	114	8	11	8.6	107
DKBI	105	121	9	12	9.6	113
DKBI	110	126	9	12	9.6	118
DKBI	115	131	9	12	9.6	123
DKBI	120	136	9	12	9.6	128
DKBI	125	141	9	12	9.6	133
DKBI	130	146	9	12	9.6	138
DKBI	140	160	10	14	10.5	150

**Design Description:**

The DKBZ is suitable for reciprocating, oscillating, or rotary motion systems and offers excellent dust scraping capability, wear resistance, and long service life. Additionally, it features an outer lip design that effectively prevents water ingress, thereby extending the lifespan of the cylinder.

Specification:**Technical Specification:**

- Maximum Speed: 3 m/s
- Temperature Range: -30 to 100°C
- Materials: Iron + Polyurethane/Nitrile Rubber

Name	d	D	t	h	H	D2
DKBZ	30	42	6	9	6.4	37
DKBZ	35	47	7	10	7.5	42
DKBZ	40	52	7	10	7.5	47
DKBZ	45	57	7	10	7.5	52
DKBZ	50	62	7	10	7.5	57
DKBZ	55	69	8	11	8.6	62
DKBZ	60	74	8	11	8.6	67
DKBZ	65	79	8	11	8.6	72
DKBZ	70	84	8	11	8.6	77
DKBZ	75	89	8	11	8.6	82
DKBZ	80	94	8	11	8.6	87
DKBZ	85	99	8	11	8.6	92
DKBZ	90	104	8	11	8.6	97
DKBZ	95	109	8	11	8.6	102
DKBZ	100	114	8	11	8.6	107
DKBZ	105	121	9	12	9.6	113
DKBZ	110	126	9	12	9.6	118
DKBZ	115	131	9	12	9.6	123
DKBZ	120	136	9	12	9.6	128
DKBZ	125	141	9	12	9.6	133
DKBZ	130	146	9	12	9.6	138
DKBZ	140	160	10	14	10.5	150



厦门市新岩密封科技有限公司

XIAMEN TYS SEALS TECHNOLOGY CO.,LTD.

地址：厦门市集美区杏美路9-2号

ADD:NO.5-2,Xinmei Road,Jimei District,Xiamen

Tel : 0592-6192018 Fax:0592-6192019

Email:tys@tysseals.com

Web: <http://www.tysseals.com>

拓岩密封科技（广州）有限公司

TYS SEALS TECHNOLOGY (GUANGZHOU)CO.,LTD.

地址：广州市天河区朱吉公路36号朱吉国际机械城11-1237

ADD:11-1237 Zhuji international machinery center , No.36 Zhuji road Tianhe district Guangzhou

Tel : 020-32380255 Fax:020-3238-0377

Email:sales01@tysseals.com

Web: <http://www.tysseals.com>